

Connection wall sleeve

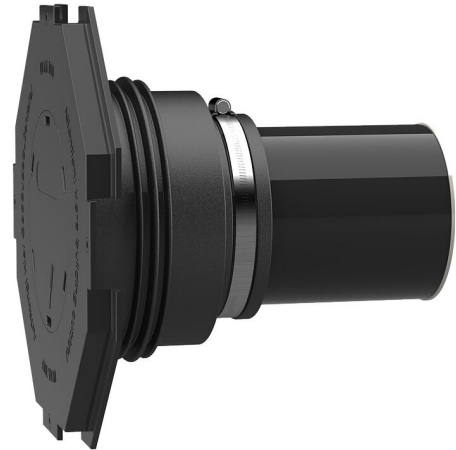
AFR 100/240

Article no.: 3030300005, GTIN: 4052487143028



- **integrated flange connection**
- **pressure-sealed after concreting**

For the direct connection of a smooth duct DN 110 with plug-in/glue-in socket.



Picture may differ from selected product

FACTS

Advantages:

- For the direct connection of a plug-in/glue-in socket DN 110
- Delivered to the required wall thickness

Scope of delivery:

- 1 piece of rubber sleeve with integrated 3-ribbed seal
- 1 piece of clamping strap
- 1 piece of sleeve cover with flange and blind cover for knock in
- 1 piece of closing cover
- 1 piece of plastic pipe DN 110 (everything pre-mounted ready for installation)

Properties:

- for installation flush with the formwork
- Blind sealed and ready for installation



Application range:

- Water exposure class DIN 18533: W1-E and W2.1-E
- Waterproof concrete stress class 1 and 2

Material:

- Rubber sleeve: EPDM
- Sleeve cover: ABS
- Clamping strap: Steel St sn (W1)
- Closing cover: PE
- Pipe: PVC-U

Tightness:

- gastight and watertight
- Radon-proof

FEATURES

| | |
|--------------------------------|-----|
| Wall sleeve ID (mm): | 100 |
| Wall sleeve OD (mm): | 110 |
| flange edge dimension (mm): | 290 |
| flange surface dimension (mm): | 260 |
| Wall thickness (mm): | 240 |
| Packing unit: | 1 |

PICTURES

