

Basic insert

for buildings without a basement

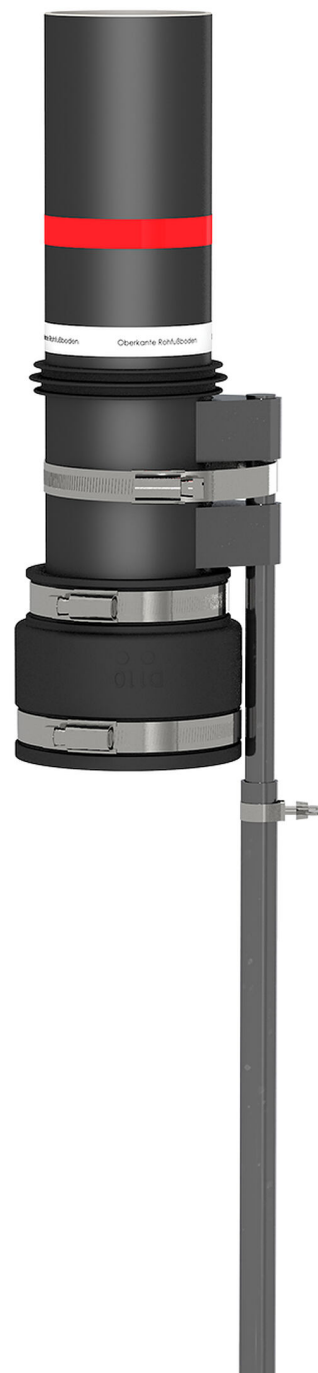
ESG100 FUBO EBTMA

Article no.: 1990501000, GTIN: 4052487054300



- **Variable height adaptation to the finished floor level**

Basic insert and installation fixture for setting in concrete in the floor slabs of buildings without a basement. For the compact entry of gas or water services, DN 50. The combined building entry HEK and the flexible spiral hose are not included in the scope of delivery.





Picture may differ from selected product

FACTS

Advantages:

- Easy to position and align

Scope of delivery:

- 1 piece Basic insert for floor slab
- 1 piece Height-adjustable installation fixture with earth spike
- 1 piece Sleeve for connecting the KES system
- 1 piece Protective cover

Dimensions:

- Basic insert ID: 100 mm

Application range:

- DIN 18533 W1-E
- Waterproof concrete stress class 1, waterproof concrete stress class 2

Material:

- Basic insert: PVC-U
- Sleeve: EPDM
- Water barrier flange: EPDM
- Installation fixture: St37

Tightness:

- gastight and watertight to 1.0 bar

FEATURES

Item: Rohbauteil

PICTURES

