

# Polymer flange

## for retrofit dowelling

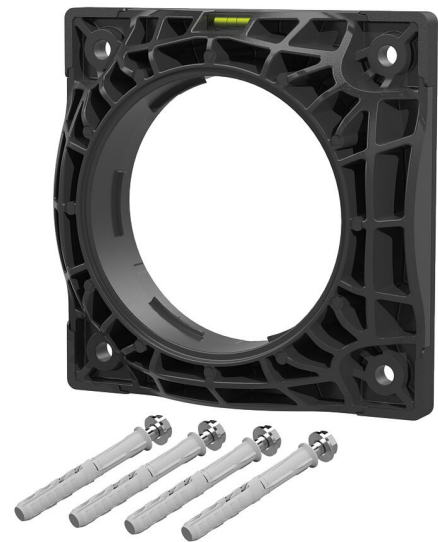
### HSI150 DFK

: 2118010022, GTIN: 4052487162555



- **With integrated spirit level**
- **Tried and tested solution for use in fresh concrete composite systems**

For retrofit dowelling via core drill holes or for screwing onto housings. Used for the gastight and watertight connection of system seals for cables and cable ducts.



### Advantages:

- System seal can be connected (e.g. cable duct connection or cable seal)
- Can be installed on container walls
- Form-closed surface seal

### Scope of delivery:

- Attachment elements including sealing ring
- 1 piece surface seal, 6 mm thick

## Dimensions:

- Length x width: 235 x 235 mm
- Recommended centre distance for core drills: 250 mm
- Core drills max. Ø: 150 mm
- Structure in front of wall including surface seal: 63 mm

## Application range:

- DIN 18533 W1-E, DIN 18533 W2.1-E
- Waterproof concrete stress class 1, waterproof concrete stress class 2

## Material:

- Flange: glass fibre reinforced polyamide
- Surface seal: EPDM
- Fastenings: stainless steel V4A (AISI 316L)

## Tightness:

- gastight and watertight to 2.5 bar





EGO sealant