

# Connection wall sleeve

for installation in double walls/element walls

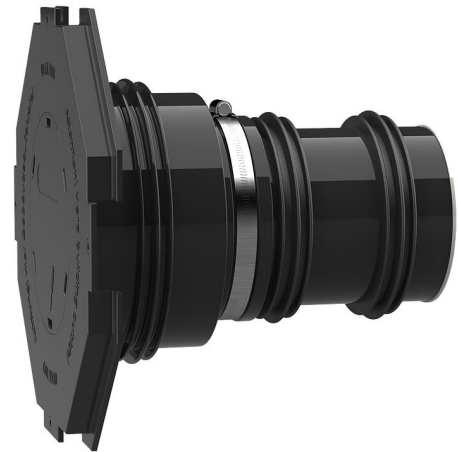
## AFRE 100/240

Article no.: 3030300011, GTIN: 4052487213653



- **integrated flange connection**
- **pressure-sealed after concrete curing**

For the direct connection of a smooth duct DN 110 with plug-in/glue-in socket.



Picture may differ from selected product

## FACTS

### Advantages:

- For the direct connection of a plug-in/glue-in socket DN 110
- Available adapted to wall thickness ready for installation
- Three 3-ribbed seals for use in double walls/element walls

### Scope of delivery:

- 1 piece of rubber sleeve with integrated 3-ribbed seal
- 1 piece of clamping strap
- 1 piece of sleeve cover with flange connection and blind cover for tapping in
- 2 additional 3-ribbed seals
- 1 piece of wall sleeve
- 1 piece of plastic pipe DN 110 (everything pre-mounted ready for installation)



## Properties:

- for installation flush with the formwork
- Blind sealed ready for installation

## Application range:

- Water exposure class DIN 18533: W1-E and W2.1-E
- Waterproof concrete stress class 1, waterproof concrete stress class 2

## Material:

- Rubber sleeve and 3-ribbed seals: EPDM
- Sleeve cover: ABS
- Clamping strap: Steel St sn (W1)
- Closing cover: PE
- Pipe: PVC-U

## Tightness:

- gastight and watertight
- radon tight

## FEATURES

Wall sleeve ID (mm):	100
Wall sleeve OD (mm):	110
flange edge dimension (mm):	290
flange surface dimension (mm):	260
wall thickness (mm):	240
Packing unit:	1

## PICTURES

