

Basic insert

for buildings without a basement

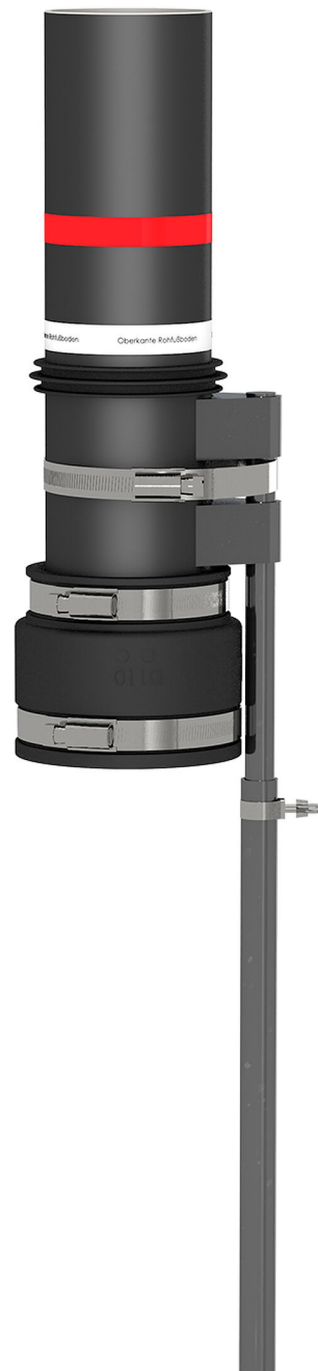
ESG100 FUBO EBTMA

Article no.: 1990501000, GTIN: 4052487054300



- **variable height adaptation to the finished floor level**

Basic insert and installation fixture for setting in concrete in the floor slabs of buildings without a basement. For the compact entry of gas or water services, DN 50. The combined building entry HEK and the flexible spiral hose are not included in the scope of delivery.





Picture may differ from selected product

FACTS

Advantages:

- Easy to position and align

Scope of delivery:

- 1 piece of basic insert for floor slab
- 1 piece of height-adjustable installation fixture with earth spike
- 1 piece of sleeve for connecting the KES system
- 1 piece of protective cover

Dimensions:

- Basic insert ID: 100 mm

Application range:

- Water exposure class DIN 18533: W1-E
- Waterproof concrete stress class 1, waterproof concrete stress class 2

Material:

- Basic insert: PVC-U
- Sleeve: EPDM
- Water barrier flange: EPDM
- Installation fixture: St37

Tightness:

- gastight and watertight to 1.0 bar

FEATURES

Item: Rohbauteil

PICTURES

