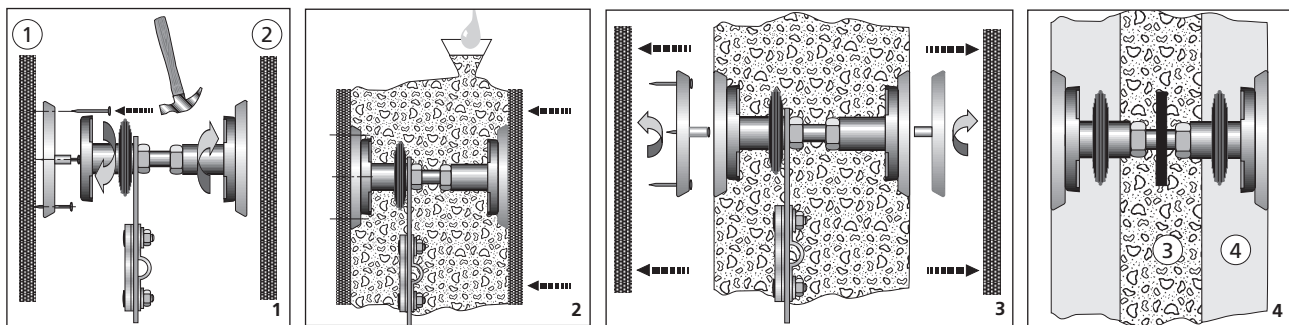




## Installation instructions - Earthing entries

HEA / HEA E / HEA PK / HEA EW

EN



### Legend

- 1 Outside
- 2 Inside
- 3 In-situ concrete
- 4 Prefabricated component

### 1 Installing HEA earthing entry

- 1 Unscrew one of the yellow protective covers from the earthing entry HEA and nail it to the wood shuttering in the desired position (nail diameter up to 1.6 x 30 mm) (see fig.: 1).
  - 2 Screw the earthing entry into the protective cover clockwise as far as it will go. Alternatively, for steel shuttering, clamp with magnetic retaining washer (see accessories MGS M12/M16).  
For HEA PK. version, clamp the cross-clamp to the steel reinforcement bars (round steel up to Ø12 mm or flat steel up to max. 40 x 5 mm).
  - 3 Close the shuttering, then carry out reinforcement and concreting work as usual (see fig.: 2).  
*When setting in concrete, make sure that the concrete is well sealed around the earthing entry.*
  - 4 After the concrete has hardened, open the shuttering and unscrew the protective covers with pliers or flexible socket wrench SLS 6G (Art. No.: 0352010000) (see fig.: 3).  
*Watch out for exposed nails!*
- ▶ Now, the corresponding connection accessories can be installed (see back page).

- For further information, please contact your local Hauff-Technik partner.
- We explicitly draw your attention to the fact that no warranty whatsoever applies for any subsequent damage occurring as a result of failure to follow the installation instructions or if our products are used incorrectly or combined with third-party products.

### 2 Installing earthing entry HEA EW/M12/X in double wall/element walls

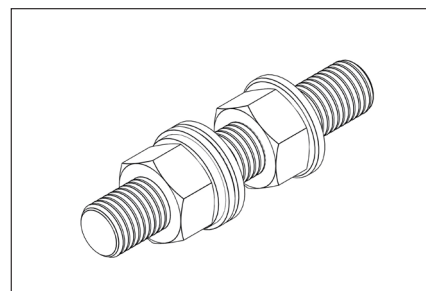
- 1 Unscrew the protective cover out of the earthing entry and replace it with magnetic retaining washer MGS M12. Then fasten the earthing with the magnetic retaining washer at the desired position on the steel shuttering.  
*The position of the additional central seal can be adjusted on-site before the in-situ concrete is poured.*
- 2 Carry out the prefabricated component concrete work in the usual way. After concreting the second element wall and removing it from the steel shuttering, unscrew the magnetic washer from the earthing entry using the flexible socket wrench SLS 6G (Art. no.: 0352010000).  
*When setting in concrete, make sure that the concrete is well sealed around the earthing entry.*  
*For further information, please contact your local Hauff-Technik partner.*  
*We explicitly draw your attention to the fact that no warranty whatsoever applies for any subsequent damage occurring as a result of failure to follow the installation instructions or if our products are used incorrectly or combined with third-party products.*

EN

## 3 Connection accessories

### Connection bolt (ASB)

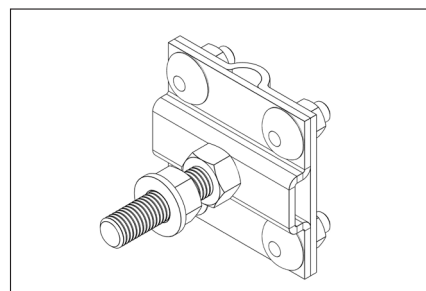
Comprising:  
Threaded bolt M12 (M16) with U-washer, lock washer and nuts.  
Material: stainless steel V4A (AISI 316L) or St37 Zn (galvanised).



### Cross-clamp (KKL)

With twist-resistance technology for earth conductors Rd 8-12 or Fl 40x5.

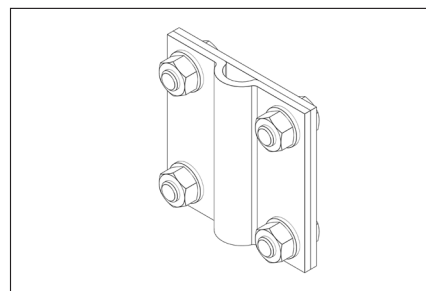
Comprising:  
Cross-clamp with threaded bolt M12 (M16) with U-washer and nuts.  
Material: stainless steel V4A (AISI 316L) or St37 fzv (galvanised) without intermediate plate.



### Connecting terminal (AKL)

For 40 mm or 30 mm ribbon cable and circular conductor connector Rd 8 - 12 mm.

Comprising:  
Cross-clamp 70 x 70 mm  
Material: stainless steel V4A (AISI 316L) or St37 fzv (galvanised).

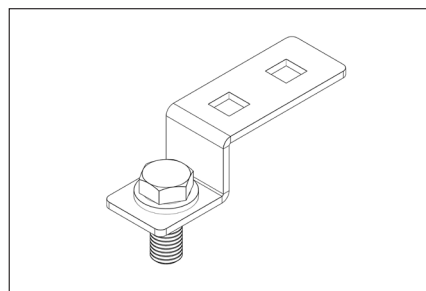


### Terminal lug (ASL)

For connecting earthing conductors, equipotential busbars or lightning protection technology,

Comprising:  
Terminal lug and hexagon screw M12 (M16)  
Material: stainless steel V4A (AISI 316L).

Max. tightening torques for stainless steel screws on earthings			
Thread size	M8	M12	M16
Tightening torque	20 Nm	40 Nm	80 Nm



## 4 Installation accessories (not included)

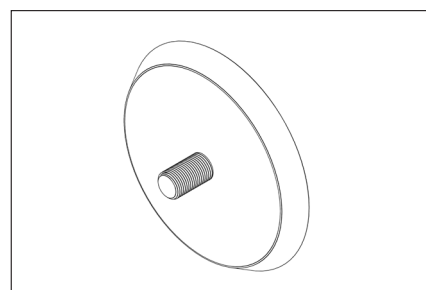
### Magnetic retaining washer (MGS)

For fastening earthing entries and earthing fixed points into the shuttering during concrete work.

- for steel shuttering:
- Ø 100 mm
- Removal after stripping with flexible socket wrench SLS 6G (Art. no.: 0352010000)
- M12 and M16

**Service telephone +49 7322 1333-0**

**Subject to changes.**



## Hauff-Technik GmbH & Co. KG

Robert-Bosch-Straße 9  
89568 Hermaringen, GERMANY

Tel. +49 7322 1333-0  
Fax +49 7322 1333-999  
office@hauff-technik.de